

# JUNG YUL POOME-SAE SECOND DEGREE BLACK BELT FORM

# 이단

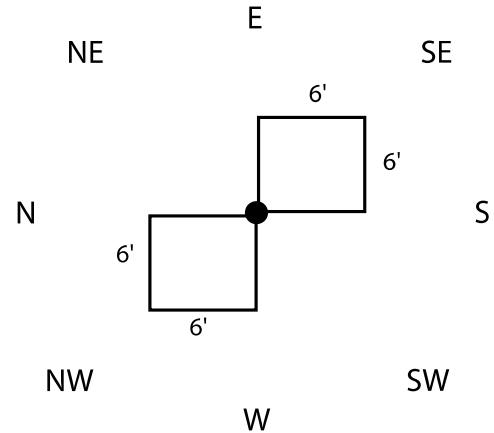
*Translates as "With your noble character, you will develop a new permanence in your life"*

## NEW KICKS:

- #2 Outer Axe Kick [12,57]
- Jump Reverse Inner Crescent Kick (Butterfly Kick)[43]

## NEW BLOCKS:

- Circular Hooking Block [9,10,54,55]
- Side High Knifehand/Low Open Hand Block [17,62]
- Reinforced Inner Forearm Block [18,63]  
(Other hand on outer edge of blocking fist)
- Downward Palm Block [26,71]
- Inward Palm Block [28,73]
- High Nine Block [40,42]
- Circular Single Outer Knifehand Block [14,59]



## NEW STRIKES:

- Horizontal Elbow Strike, Vertical Back Elbow [1,3]
- Horizontal Hammer Fist Strike [20,65]
- Downward Elbow Strike [7,52]
- Arc Hand Strike [15,60]
- Downward Knifehand Strike (Single, Double, Circular)[31,39,41,46,76]
- Twin Punch [5,50]

## NEW STANCES:

- X-Stance [6-8,18-20,31,51-53,63-65,76]  
(Right foot flat, left behind = Right X-Stance)
- One Leg Stance [15-17,60-62]

## TYPE OF MOVEMENT:

- Tension movement [2,4,5,50] (5 seconds in duration.)
- Slow movement. [17,40,42,62] (2 seconds in duration.)
- Circular movement [8,9,10,14,21,31,34,35,53,54,55,59,66,76,79,80]
- Single-arm blocks and strikes. [6,7,9-11,13-15,19,20,25-31,51,52,54-56,58-60,64,65,70-76,81,82]

\*All strikes and single blocks in Jung Yul are 'Single Hand' unless otherwise noted as 'Double Hand'.

Form should take about 2:05 to 2:10 minutes from attention to final bow

All open hand techniques start closed and end open.

**READY STANCE:** *Right half command stance (Right fist high, left at side) in parallel stance*

# JUNG YUL POOME-SAE

## SECOND DEGREE BLACK BELT FORM

June Bee - Half command stance.

1. Right foot steps right to middle stance facing east (left foot at center point); **Left Horizontal Elbow** (left fist goes to right collarbone), **Right Vertical Back Elbow**.
2. No step, **Square Block** to north with tension (5 seconds)
3. Double step to left side to middle stance facing east (right foot at center point); **Right Horizontal Elbow** (right fist goes to left collar bone), **Left Vertical Back Elbow**.
4. No step, **Square Block** to south with tension (5 seconds)
5. Move left foot to right in closed stance to east (both feet on center point), **Twin Punch** with tension (5 seconds) hands end 1 fist length from forehead.

---(Direction Change on Line Corner)---

6. Step 1 Sparring stance length east to right X-stance, **Right Punch** to east high section.
7. No step, **Right Downward Elbow Strike** to east mid section.
8. No step, **Circular Low Double Knifehand Block** to east.
9. Left foot steps back to right front stance, **Left Reverse Circular Hooking Block** to east high section  
And...
10. No step, **Right Circular Hooking Block** to east high section.
11. No step, **Left Reverse Vertical Punch** to east high section
12. **Left #2 Outer Axe Kick** to east mid or high section.
13. Land in left front stance, **Left Knifehand Low Block** to east.
14. No step, **Right Reverse Circular Outer Knifehand Block** to east high section.
15. Left foot moves south 1 shoulder width; right foot moves to shield left knee in left one-legged stance to east (left foot at east point), **Left Arc Hand Strike** to east high section. And...
16. No step, **Right Reverse Upward Elbow** to left palm, east high section. And...
17. No step, **Left High Knifehand/Right Low Open Hand Block** (palm faces back) to sides slow (2 seconds)(eyes to south)

---(Direction Change on Line Corner)---

18. Right foot steps south 1 sparring stance length, left foot steps behind to right X-stance; **Right Reinforced Inner Forearm Block** to south high section. And...
19. No Step, **Right Back Fist** to south high section. And...
20. No Step, **Right Horizontal Hammerfist Strike** to south high section.
21. Left foot steps back to left back stance (left foot at east point), **Circular Double Knifehand Block** to south.

# JUNG YUL POOME-SAE

## SECOND DEGREE BLACK BELT FORM

22. **Left #2 Inner Crescent Kick** to south mid or high section. **KL-HAP**. Step down to right foot in closed stance to north.
23. **Right Reverse Hook Kick** to south mid or high section. And...
24. In a continuous motion, **Right Round Kick** to south mid or high section.
25. Land in left back stance, **Right High Block** to south.
26. Right foot pulls back to left rear stance, **Right Downward Palm Block** to south.
27. Right foot steps south to middle stance (right foot at southeast point), **Right Punch** to south high section.

---(Direction Change on Line Corner)---

28. Left foot steps west 90 degrees counterclockwise to left back stance to east; **Right Inward Palm Block** to mid section.
29. No step, **Left Reverse Punch** to east high section.
30. No step, **Right Upset Knifehand Strike** to east high section.
31. Right foot steps behind left to left X-stance, **Right Circular Downward Knifehand Strike** to east high section. (collarbone level)
32. **Right #2 Front Kick** to east mid or high section. (hands stay in position).
33. Replace right foot back to left X-stance, hands to guard position; left foot steps west to middle stance (left foot at south point), **Right #1 Side Kick** to east mid or high section.
34. Land in middle stance, **Circular Low Double Outer Forearm Block** to east.
35. Left foot shifts to right back stance, **Circular Double Knifehand Block** to west.
36. **Right #2 Round Kick** (ball of the foot) to west mid or high section. And moving counterclockwise...
37. In a continuous motion, **Right Round Kick** (ball of the foot) to south mid or high section. And...
38. In a continuous motion, **Right Round Kick** (ball of the foot) to east mid or high section.
39. Land in right sparring stance to north (left foot at south point), **Circular Downward Double Knifehand Strike** to north. (left hand vertical at solar plexus, right fingertips even with shoulder)

---(Direction Change on Line Corner)---

40. Right foot pulls to left rear stance, **Left High "9" Block** to north, slow (2 seconds)
41. Jump 180 degrees counterclockwise to left sparring stance to north. **Circle Downward Double Knifehand Strike** to north (right foot at south point). (right hand vertical at solar plexus, left fingertips even with shoulder)
42. Left foot pulls to right rear stance, **Right High "9" Block** to north, slow (2 seconds) **KL-HAP**

# JUNG YUL POOME-SAE

## SECOND DEGREE BLACK BELT FORM

43. \*Right foot steps to form "T" at left toes, **Right Jump Reverse Inner Crescent Kick** (Butterfly) to north mid or high section. (gain 1 rear stance north) Land in middle stance.
44. **Left Reverse Side Kick** to north mid or high section. Land in left sparring stance to north.
45. **Right #2 Side Kick** to north mid or high section.
46. Land in right sparring stance to north (right foot at north point), **Circular Downward Double Knifehand Strike** to north. (left hand vertical at solar plexus, right fingers even with shoulder)
  
47. **Left #2 Round Kick** (ball of the foot) to north mid or high section. And moving clockwise...
48. In a continuous motion, **Left Round Kick** (ball of the foot) to east mid or high section. And...
49. In a continuous motion, **Left Round Kick** (ball of the foot) to south mid or high section.
50. Left foot lands to right facing west in closed stance (both feet at north point), **Twin Punch** with tension (5 seconds) hands end 1 fist length from forehead.

---(Direction Change on Line Corner)---

51. Step 1 sparring stance length west to left X-stance, **Left Punch** to west high section.
52. No step, **Left Downward Elbow Strike** to west mid section.
53. No step, **Circular Low Double Knifehand Block** to west.
  
54. Right foot steps back to left front stance, **Right Reverse Circular Hooking Block** to west high section.
55. No Step, **Left Circular Hooking Block** to west high section. And...
56. No Step, **Right Reverse Vertical Punch** to west high section.
57. **Right #2 Outer Axe Kick** to west mid or high section. And...
58. Land in right front stance, **Right Knifehand Low Block** to west. And...
59. No Step, **Left Reverse Circular Outer Knifehand Block** to west high section
  
60. Right foot moves south 1 shoulder width; left foot moves to shield right knee in right one legged stance to west (right foot at northwest point), **Right Arc Hand Strike** to west high section. And...
61. No step, **Left Reverse Upward Elbow** to right palm. And...
62. No Step, **Right High Knifehand/Low Open Hand Block** (palm faces back) to sides, slow (2 seconds)(eyes to south) ***KI-HAP***

---(Direction Change on Line Corner)---

63. Left foot steps south 1 sparring distance length, right foot steps behind to left X-stance; **Left Reinforced Inner Forearm Block** to south high section.
64. No Step, **Left Back Fist** to south to high section.
65. No Step, **Left Horizontal Hammerfist Strike** to south to high section.
66. Right foot steps back to right back stance (right foot at northwest point), **Circular Double Knifehand Block** to south.

# JUNG YUL POOME-SAE

## SECOND DEGREE BLACK BELT FORM

67. **Right #2 Inner Crescent Kick** to south mid or high section. Step down to left foot in closed stance to north. And...
68. In a continuous motion, **Left Reverse Hook Kick** to south mid or high section. And...
69. In a continuous motion, **Left Round Kick** to south mid or high section.
70. Land in right back stance, **Left High Block** to south
71. Left pulls to right rear stance, **Left Downward Palm Block** to south.
72. Left steps south to middle stance (left foot at west point), **Left Punch** to south high section.

---(Direction Change on Line Corner)---

73. Right foot steps east 90 degrees clockwise to right back stance to west (left foot at west point); **Left Inward Palm Block** to west mid section.
74. No step, **Right Reverse Punch** to west high section.
75. No step, **Left Upset Knifehand Strike** to west high section.
76. Left foot steps behind right to right X-stance, **Left Circular Downward Knifehand Strike** to west high section. (collarbone level)
77. **Left #2 Front Kick** to west mid or high section. Hands stay in position.
78. Replace left foot back to right X-stance, hands to guard position; right foot steps east to middle stance (right foot at center point), **Left #1 Side Kick** to west mid or high section.
79. Land in middle stance, **Circle Low Double Outer Forearm Block** to west.
80. Right foot shifts to left back stance, **Circle Double Knifehand Block** to east.
  
81. Jump spin 180 degrees counterclockwise, **Left Knifehand Strike** while in air to east high section
82. Land in right back stance, **Right Reverse Punch** to east high section on landing. (left foot on center point)

Bah-ro - Right foot steps to end position.

Shi-uh - At ease position (about face, fix uniform, return to set position)

# JUNG YUL POOME-SAE

## SECOND DEGREE BLACK BELT FORM

	Stance	Section		Stance	Section
1. L Horizontal Elbow; R-Vertical Back Elbow	M	M&H	42. R High Nine Block - <i>KI-HAP</i> - Slow- 2 sec.	R	H&L
2. L Square Block – Tension – 5 sec.	M	H	43.R Butterfly Kick	--	H
3. R Horizontal Elbow; L-Vertical Back Elbow	M	M&H	44.L Reverse Side Kick	--	M/H
4. R Square Block– Tension – 5 sec.	M	H	45.R #2 Side Kick	--	M/H
5. B Twin Punch– Tension – 5 sec.	C	H	46.R Cir. Downward Double Knifehand Strike	S	H
6. R Punch	X	H	47.L #2 Round Kick	--	M/H
7. R Downward Elbow Strike	X	M	48.L Round Kick	--	M/H
8. R Circular Low Double Knifehand Block	X	L	49.L Round Kick	--	M/H
9. L Reverse Circular Hooking Block	F	H	50.B Twin Punch– Tension – 5 sec.	C	H
10. R Circular Hooking Block	F	H	51.L Punch	X	H
11. L Reverse Vertical Punch	F	H	52.L Downward Elbow Strike	X	M
12. L #2 Outer Axe Kick	--	H	53.L Circular Low Double Knifehand Block	X	L
13. L Knifehand Low Block	F	L	54.R Reverse Circular Hooking Block	F	H
14. R Reverse Circular Outer Knifehand Block	F	H	55.L Circular Hooking Block	F	H
15. L Arc Hand Strike	OL	H	56.R Reverse Vertical Punch	F	H
16. R Reverse Upward Elbow	OL	H	57.R #2 Outer Axe Kick	--	H
17. L High Knifehand/Low Open Hand Block– Slow- 2 sec.	OL	H&L	58.R Knifehand Low Block	F	L
18. R Reinforced Inner Forearm Block	X	H	59.L Reverse Circular Outer Knifehand Block	F	H
19. R Back Fist	X	H	60.R Arc Hand Strike	OL	H
20. R Horizontal Hammer Fist	X	H	61.L Reverse Upward Elbow	OL	H
21. R Circular Double Knifehand Block	B	H	62.R High Knifehand/Low Open Hand Bl.- <i>KI-HAP</i> -Slow-2 sec.	OL	H&L
22. L #2 Inner Crescent Kick – <i>KI-HAP</i>	--	H	63.L Reinforced Inner Forearm Block	X	H
23. R Reverse Hook Kick	--	M/H	64.L Back Fist	X	H
24. R Round Kick	--	M/H	65.L Horizontal Hammer Fist	X	H
25. R High Block	B	H	66.L Circular Double Knifehand Block	B	H
26. R Downward Palm Block	R	L	67.R #2 Inner Crescent Kick	--	H
27. R Punch	M	H	68.L Reverse Hook Kick	--	H
28. R Inward Palm Block	B	M	69.L Round Kick	--	H
29. L Reverse Punch	B	H	70.L High Block	B	H
30. R Upset Knifehand Strike	B	H	71.L Downward Palm Block	R	L
31. R Circular Downward Knifehand Strike	X	H	72.L Punch	M	H
32. R #2 Front Kick	--	M/H	73.L Inward Palm Block	B	M
33. R #1 Side Kick	--	M/H	74.R Reverse Punch	B	H
34. R Cir. Low Double Outer Forearm Block	M	L	75.L Upset Knifehand Strike	B	H
35. L Circular Double Knifehand Block	B	H	76.L Circular Downward Knifehand Strike	X	H
36. R #2 Round Kick	--	M/H	77.L #2 Front Kick	--	M/H
37. R Round Kick	--	M/H	78.L #1 Side Kick	--	M/H
38. R Round Kick	--	M/H	79.L Cir. Low Double Outer Forearm Block	M	L
39. R Cir. Downward Double Knifehand Strike	S	H	80.R Circular Double Knifehand Block	B	L
40. L High Nine Block– Slow- 2 sec.	R	H&L	81.L Knifehand Strike	B	H
41. L Cir. Downward Double Knifehand Strike	S	H	82.R Reverse Punch	B	H